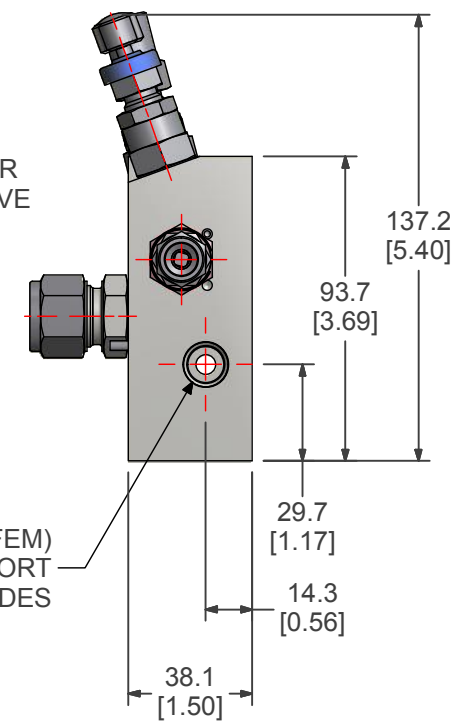
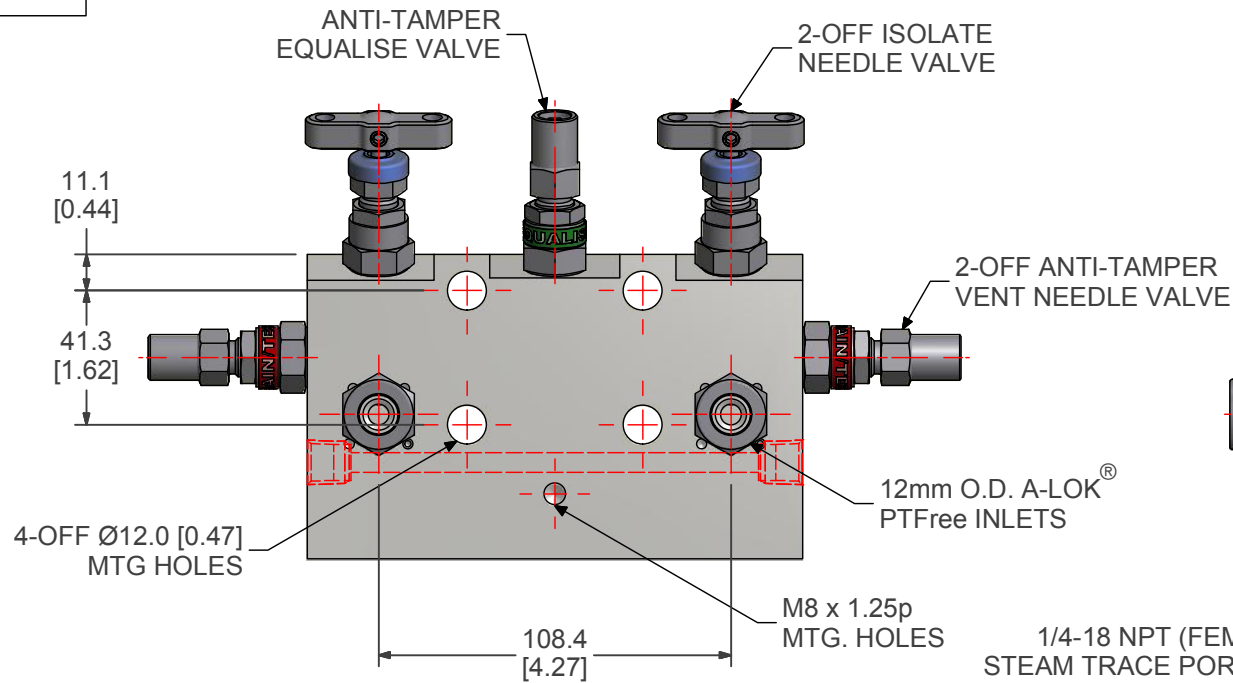
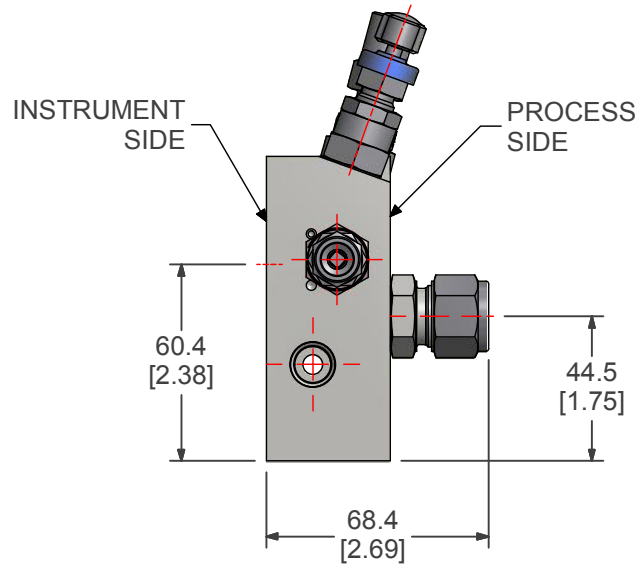


ITEM	PART NUMBER	DESCRIPTION
1	HHN001	HANDLE
2	PH674	DUST CAP
3	HLN001	LOCK NUT
4	HTB001	THRUST BUSH
5	HJS001	JOINT SEAL
6	HTP001	TIP
7	HPK001	PACKING
8	HBN001	BONNET STUD
9	HGA001	GLAND ADJUSTER
10	HST001	STEM
11	H-ID-STICKER	ID STICKER
12	HGAT001	AT GLAND ADJUSTER
13	HGS001	GRUB SCREW

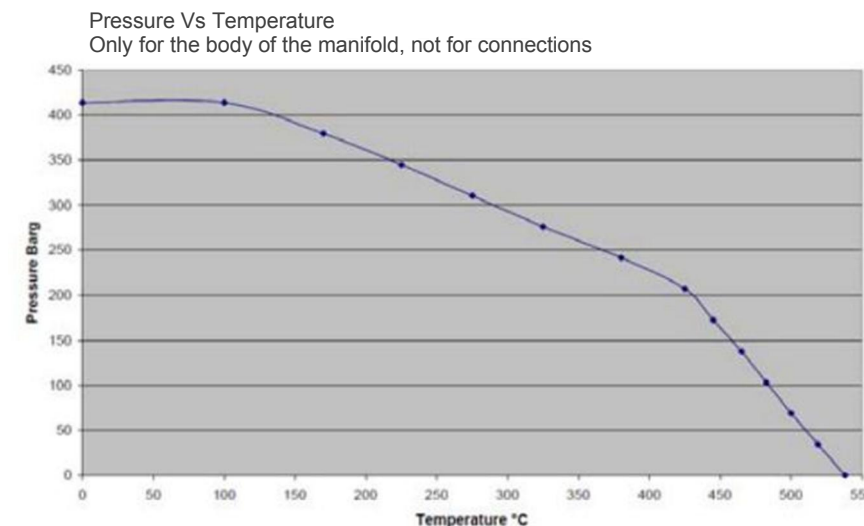
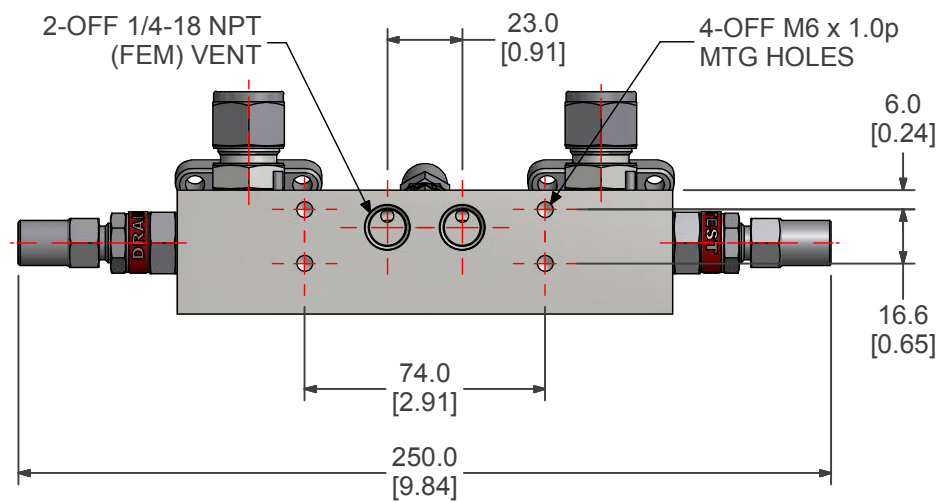


5 VALVE MANIFOLD DIRECT MTG.  
INLETS : 12mm O.D A-LOK  
OUTLETS : FLANGED  
VENTS : 1/4-18 NPT (FEM)  
BODY MATERIAL: 316 Stainless Steel

ASSEMBLY MARKED AS FOLLOWS:  
HDS5FRCLME12ATEQ-1  
316-GG  
538DEG C (1000 F) MAX  
MODEL: A1 ... 12mm O.D. TUBE

APPROX WEIGHT: 4.42Kg  
TEST AND CONTROL  
NACE MR0175  
TOTAL STANDARD P/N: 1T-HT-PM  
TOTAL SYSTEM PRESSURE CLASS 600

Designation	Quantity	Description	Material	Supplied with Manifolds
Manifold	1	5 Valve manifold piping to direct mount instrument with heat tracing	316	Yes
Boulonnerie(Instrument)/Instrument bolts	4	Bolts	SS316	Yes. See instrument documentation for tightening
Joint Manifold-Instrument/Seal Rings	2	Graphite seals as per IEC	Graphite	Yes Option (for oxygen use PTFE seals not supplied)
Boulonnerie (Bride Process)/Process bolts	N/A	Bolts Parker part numbers: H/Bolt 7/16-1.63-SS/4	N/A	N/A
Tube (bride)/Pipe details	N/A	N/A	N/A	N/A
Raccord/Tube fitting	2	12mm O.D. A-LOK	SS316	Yes, including nuts and ferrules
Bride/Flange	N/A	N/A	N/A	N/A
Bouchon/Plug	N/A	N/A	N/A	N/A
Support/Bracket Carbon steel	0	Bracket + bolts	Galvanised Carbon Steel	Option (add BRK suffix)
Support/Bracket Stainless steel	0	Bracket + bolts	Stainelss steel	Option (add BRKSS suffix)
Instrument Flange Connection	2	IEC/EN61518 type B	N/A	Yes
Welding Certificate	N/A	N/A	N/A	N/A
NACE compliance certificate	0	NACE MR 0103		No, Part of the THR technical homologation report
PED compliance	0			No, Part of the THR technical homologation report
ATEX compliance	0			No, Part of the THR technical homologation report
Fugitive emissions	0	TA Luft		No, Part of the THR technical homologation report
Electrical self-limiting heater block	0			Option
Full 3.1 certificate paper copy with order	0			Option
2.1 certificate	1			Yes
HCT	1	Manifold marked with Heat Code Traceability, linking manifold to material certificate. Information available over the internet		Yes



THIS DRAWING, THE MARKET AND BUSINESS STRATEGY INFORMATION (CONTAINED OR EXPRESSED), TOGETHER WITH ALL INNOVATIONS, DESIGNS, INVENTIONS, SYSTEMS AND PROCESSES SHOWN OR DISCUSSED ARE THE SOLE PROPERTY AND COPYRIGHT OF PARKER HANNIFIN PLC. THIS DRAWING IS FURNISHED ON THE UNDERSTANDING THAT THE DRAWING AND THE INFORMATION IT CONTAINS WILL NOT BE COPIED OR DISCLOSED TO OTHERS EXCEPT WITH THE WRITTEN CONSENT OF PARKER HANNIFIN. WILL NOT BE USED TO THE DETRIMENT OF PARKER HANNIFIN, AND WILL BE RETURNED UPON REQUEST BY PARKER HANNIFIN. THIS INTELLECTUAL PROPERTY CANNOT BE USED, REPRODUCED, COPIED, TRANSFERRED OR COMMUNICATED IN ANY WAY BY OR TO THIRD PARTIES. FURTHER DESIGN, PATENT AND COPYRIGHTS IN RESPECT OF PRODUCT AND COMPONENTS ALSO EXIST. YOUR ADHERENCE TO THE ABOVE CLAIM IS IMPLICIT UPON YOUR USE OF THIS DRAWING. © 2012

THE ITEMS DESCRIBED IN THIS DOCUMENT, INCLUDING WITHOUT LIMITATION, PRODUCT FEATURES, SPECIFICATIONS, DESIGNS, AVAILABILITY AND PRICING, ARE SUBJECT TO CHANGE BY PARKER HANNIFIN CORPORATION AND ITS SUBSIDIARIES AT ANY TIME WITHOUT NOTICE.

ALL DIMENSIONS IN mm WITH IMPERIAL EQUIVALENTS IN PARENTHESIS  
DRAWING TITLE :  
**5 VALVE MANIFOLD DIRECT MTG TUBE TO FLANGE**  
12mm O.D A-LOK INLETS  
IEC FLANGED OUTLETS / BASE VENTED  
1/4-18 NPT (FEM) VENTS  
1/4-18 NPT (FEM) STEAM TRACE PORTS  
CLASS 600  
CUSTOMER ASSEMBLY DRAWING

DO NOT SCALE	IF IN DOUBT ASK	UNLESS STATED 3rd ANGLE PROJECTION	
REV No. : ECO NO. : DRAWN BY : DESCRIPTION OF REV / VERSION CHANGE	Version No. : ECO DATE : DRAWN DATE : 20/12/2013		Parker Hannifin Manufacturing Ltd Instrumentation Products Division Europe Riverside Road Barnstaple Devon EX31 1NP +44 (0)1271 313131
CHECKED & APPROVED BY: Approvals Using Electronic 'ENOVIA ECO WORKFLOW'			HDS5FRCLME12ATEQ-1