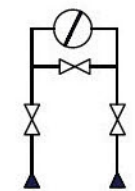
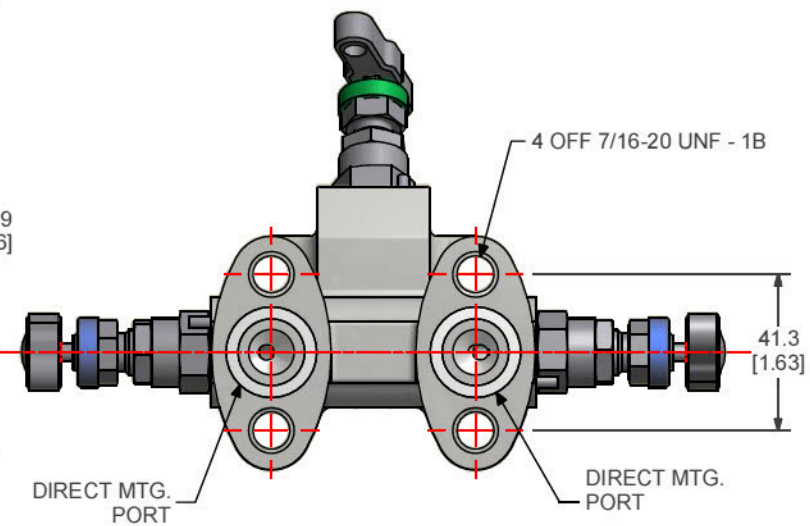
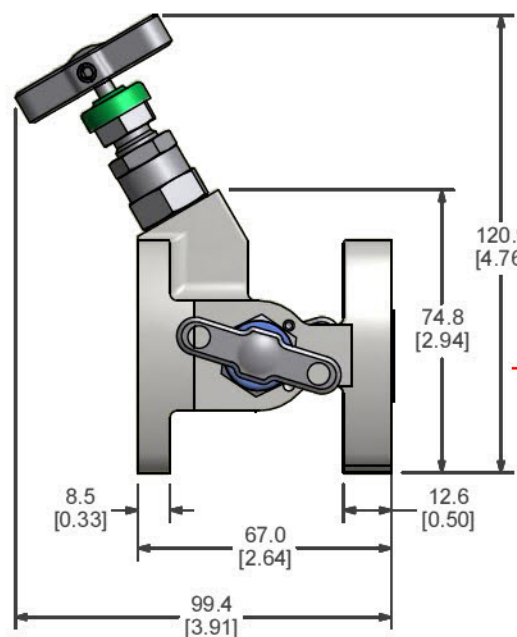
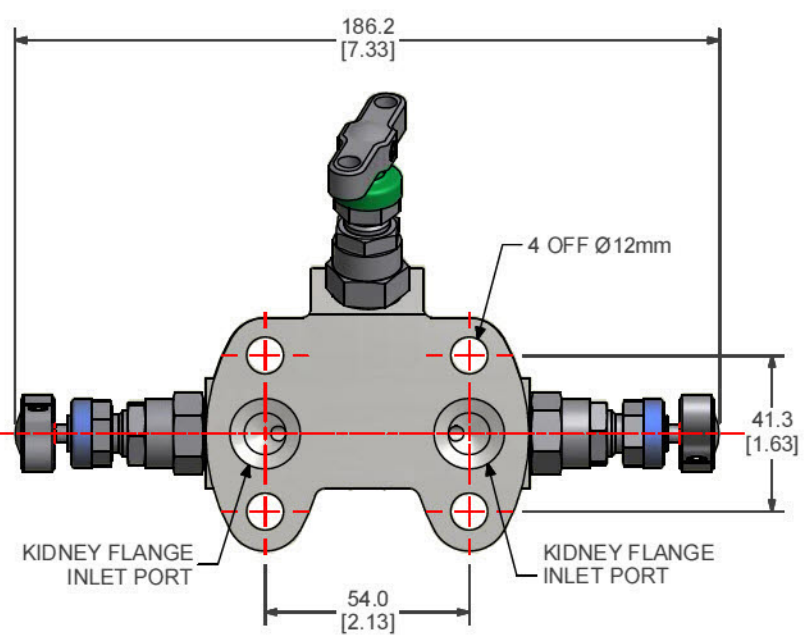
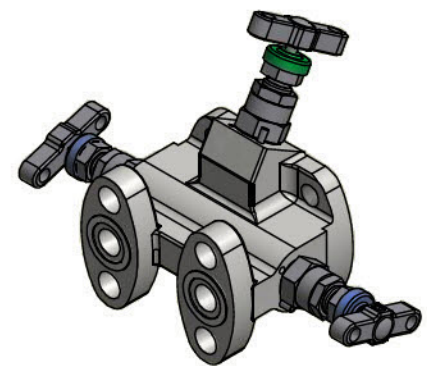


1 2 3 4 5 6 7 8 9 10

J
I
H
G
F
E
D
C
B
A



3 VALVE MANIFOLD DIRECT MTG
INLET : SUITABLE FOR KIDNEY FLANGE
MATERIAL OF CONSTRUCTION :
SEE 'H-SERIES MATERIAL SPEC'.

THIS DRAWING, THE MARKET AND BUSINESS STRATEGY INFORMATION (CONTAINED OR EXPRESSED), TOGETHER WITH ALL INNOVATIONS, DESIGNS, INVENTIONS, SYSTEMS AND PROCESSES SHOWN OR DISCUSSED ARE THE SOLE PROPERTY AND COPYRIGHT OF PARKER HANNIFIN PLC. THIS DRAWING IS FURNISHED ON THE UNDERSTANDING THAT THE DRAWING AND THE INFORMATION IT CONTAINS WILL NOT BE COPIED OR DISCLOSED TO OTHERS EXCEPT WITH THE WRITTEN CONSENT OF PARKER HANNIFIN, WILL NOT BE USED TO THE DETRIMENT OF PARKER HANNIFIN, AND WILL BE RETURNED UPON REQUEST BY PARKER HANNIFIN. THIS INTELLECTUAL PROPERTY CANNOT BE USED, REPRODUCED, COPIED, TRANSFERRED OR COMMUNICATED IN ANY WAY BY OR TO THIRD PARTIES. FURTHER DESIGN, PATENT AND COPYRIGHTS IN RESPECT OF PRODUCT AND COMPONENTS ALSO EXIST. YOUR ADHERENCE TO THE ABOVE CLAIM IS IMPLICIT UPON YOUR USE OF THIS DRAWING.

© 2012

THE ITEMS DESCRIBED IN THIS DOCUMENT, INCLUDING WITHOUT LIMITATION, PRODUCT FEATURES, SPECIFICATIONS, DESIGNS, AVAILABILITY AND PRICING, ARE SUBJECT TO CHANGE BY PARKER HANNIFIN CORPORATION AND ITS SUBSIDIARIES AT ANY TIME WITHOUT NOTICE.

ALL DIMENSIONS IN mm WITH IMPERIAL EQUIVALENTS IN PARENTHESIS

DRAWING TITLE :

**3 VALVE MANIFOLD DIRECT MTG
FLANGE TO FLANGE
INLET SUITABLE FOR KIDNEY FLANGE**

**FORGED BODY DESIGN
6000 PSI RANGE
CUSTOMER ASSEMBLY DRAWING**

DO NOT SCALE		IF IN DOUBT ASK	
REV No. -	Version No. -	UNLESS STATED 3rd ANGLE PROJECTION	
ECONO. ECO-0097932	ECCO DATE: 04/03/2015		
DRAWN BY: Matthew Crook	DRAWN DATE: 04/03/2015		
DESCRIPTION OF REV / VERSION CHANGE		CHECKED & APPROVED BY: Approvals Using Electronic 'ENOVIA ECO WORKFLOW'	

Parker Hannifin Manufacturing Ltd
Instrumentation Products Division Europe
Riverside Road
Barnstaple
Devon
EX31 1NP
+44 (0)1271 313131

HF_3