

FM-3 Flowmeter

Product Overview

The PFA/PTFE Flowmeter is designed for all high purity applications where precise measurement and control of fluids is required. The FM-3 Flowmeter utilizes precision machined PTFE bodies and needle valve components and a molded high purity PFA barrel. Rather than typical face-to-face seals, the FM-3 utilizes tongue and groove technology to seal the barrel to the bodies, creating a more positive seal. An integral needle valve is also available. Panel nut mounting is standard regardless of the type of end connection.



Features

Tongue and groove barrel to body seals.

Molded PFA barrel.

Numerous end connections and flow rates.

Benefits

Zero leakage and allows 360 degree port orientation.

PFA is most chemically compatible and its translucency makes for precise flow measurement.

Versatility to provide exact model for application.

Specifications

Materials of Construction:

Wetted Surfaces - PFA and PTFE
External Surfaces - PTFE, PFA, and PVDF

Pressure Ranges:

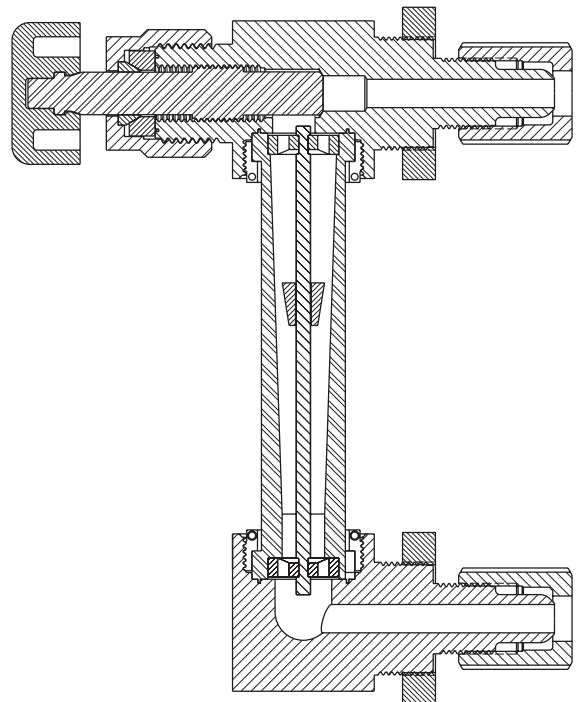
0 PSIG (0 mbar) to 120 PSIG (8.3 bar)

Pressure range above is for operation at ambient temperatures. For use at higher temperatures [consult Pressure/Temperature chart on page 3](#).

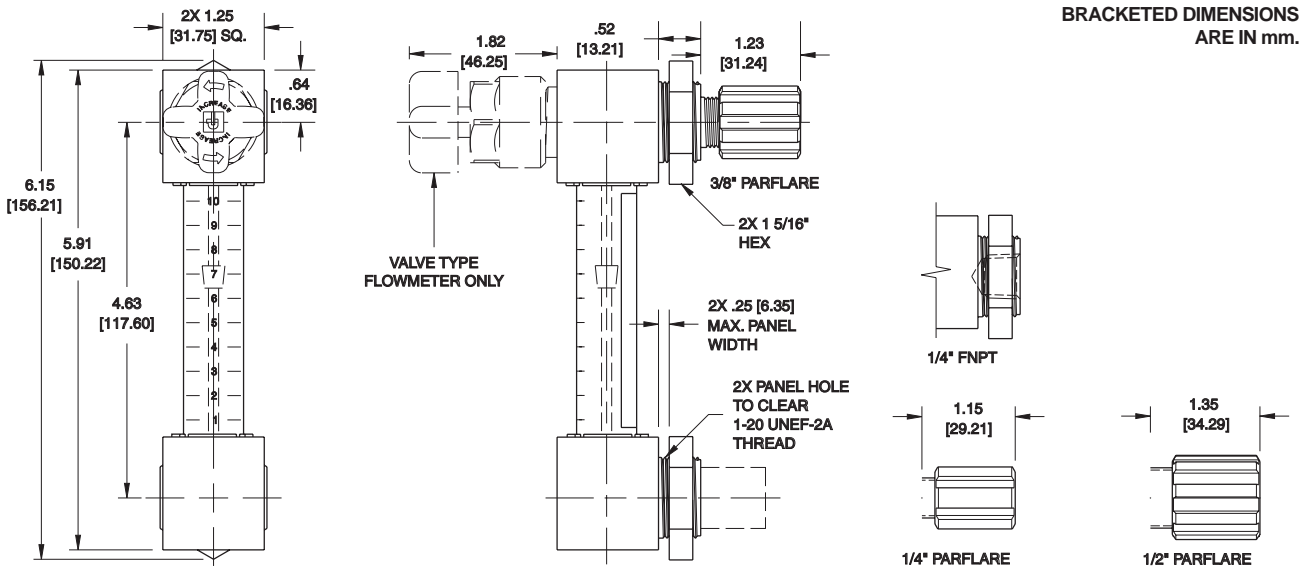
Temperature Ranges:

0° - 212° F (-17° - 100° C) Ambient

0° - 266° F (-17° - 130° C) Fluid

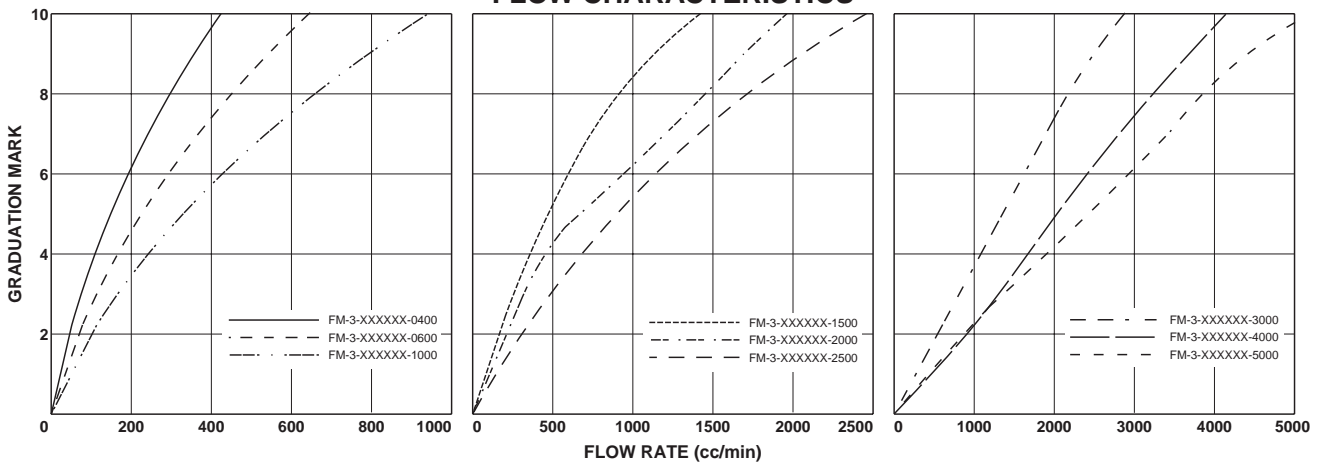


FM-3 Flowmeter



Model Number	Needle Valve-X ₁	Inlet/Outlet Connection Type	Inlet/Outlet Connection Size	Flow Range-XXXX ₂
FM-3-1X ₁ 1144-XXXX ₂	0 = No 1 = Yes	FNPT	1/4"	0400 = 100 - 400 cc/min 0600 = 100 - 600 cc/min 1000 = 100 - 1,000 cc/min 1500 = 170 - 1,500 cc/min 2000 = 250 - 2,000 cc/min 2500 = 300 - 2,500 cc/min 3000 = 600 - 3,000 cc/min 4000 = 1,100 - 4,000 cc/min 5000 = 1,200 - 5,000 cc/min
FM-3-1X ₁ 6644-XXXX ₂		Parflare	1/4"	
FM-3-1X ₁ 6666-XXXX ₂		Parflare	3/8"	
FM-3-1X ₁ 6688-XXXX ₂		Parflare	1/2"	

FLOW CHARACTERISTICS



FM-4 Flowmeter

Product Overview

The PFA/PTFE Flowmeter is designed for all high purity applications where precise measurement and control of fluids are required. The FM-4 Flowmeter utilizes precision machined PTFE bodies and needle valve components and a high purity PFA barrel. Rather than typical face-to-face seals, the FM-4 utilizes compression technology to seal the barrel to the bodies, creating a more positive seal. Standard features are an integral needle valve for flow control and panel nuts for mounting.



Features

Compression barrel to body seals.

PFA barrel.

Unique PTFE float design.

Zero metal.

Benefits

Zero leakage and allows 360 degree port orientation.

PFA is most chemically compatible and its translucency makes for precise flow measurement.

Allows for consistent read out and visibility in many chemicals.

Higher resistance to deionized water and chemicals.

Specifications

Materials of Construction:

Wetted Surfaces - PFA and PTFE

External Surfaces - PTFE, PFA, PolyPro and PVDF

Pressure Ranges:

0 PSIG to 120 PSIG (8.3 bar)

Pressure range above is for operation at ambient temperatures.

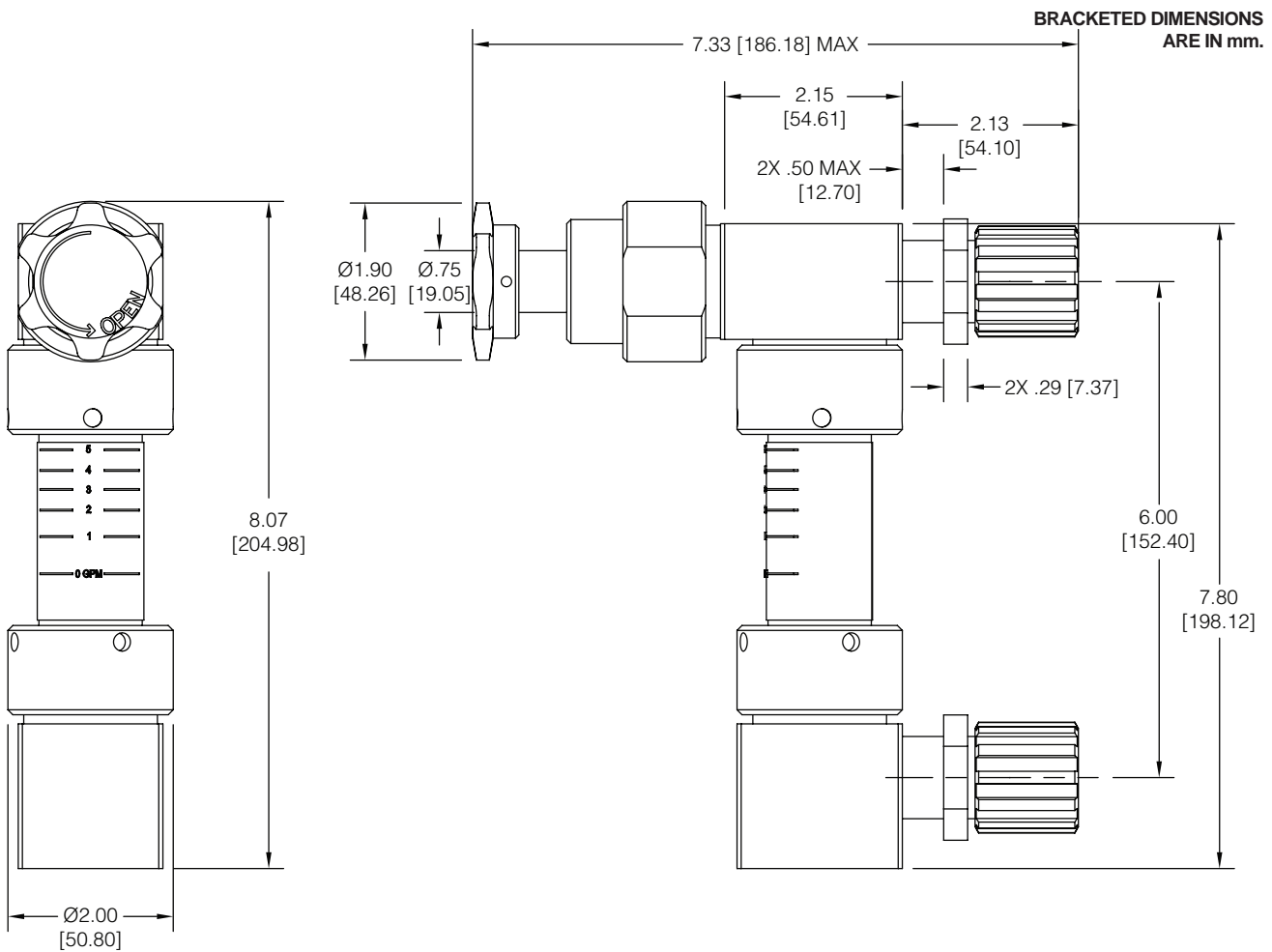
For use at higher temperatures [consult Pressure/Temperature chart on page 3](#).

Temperature Ranges:

0° - 212° F (-17° - 100° C) Ambient

0° - 266° F (-17° - 130° C) Fluid

FM-4 Flowmeter



Model Number	Needle Valve	Inlet/Outlet Connection Type	Inlet/Outlet Connection Size	Flow Range
FM-4-11661212-02G	Yes	Parflare	3/4"	2 GPM
FM-4-11661212-05G	Yes	Parflare	3/4"	5 GPM

Direct read out labels are provided for deionized water only. 0-10 read out are provided for all other chemicals.

FLOW CHARACTERISTICS

